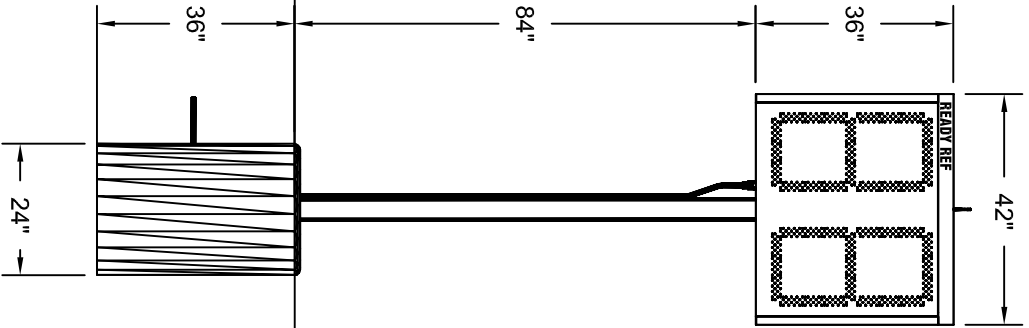
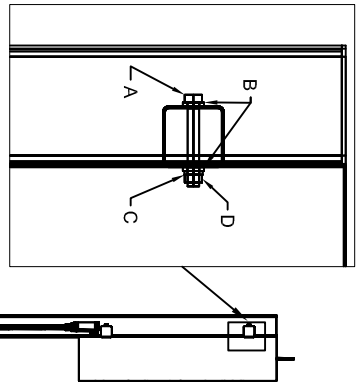


Front View



Left View

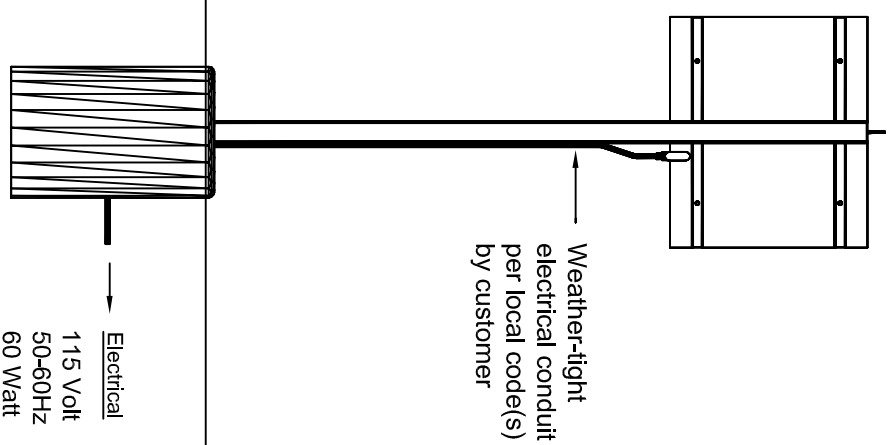


- 18-8 Stainless Steel Hardware
- A=(4) 3/8 x 2-3/4" Hex bolt
  - B=(8) 3/8" Flatwasher
  - C=(4) 3/8" Lockwasher
  - D=(4) 3/8" Hex Nut

Concrete Footing  
by customer

Each installation should be considered individually and sufficient reinforcement rod installed in footing

Rear View



REV	DESCRIPTION	DATE	BY	APP	REV	DESCRIPTION	DATE	BY	APP
0	Initial	01/17/13	JUG	JEG					

**Grimm Scientific Industries, Inc.**  
 P.O. Box 2143 Marietta, OH 45750 www.grimmscientific.com

**Play Clock Installation**  
 using #1250 Mounting Post

SIZE SCALE DWG NO.  
 A NTS