



Wireless Control System

Easy to operate on-field control provides improved accuracy that assures teams fair and accurate timing. Controllers fit securely to the On-field Official's belt, who feels a discreet vibration signal as a reminder that time has expired allowing them to watch the field, not the clock

One System - Two Controllers

This On-Field Clock System is both a 20-second Pitch and 120-Second Inning Clock with two Wireless Controllers so a backup it always available.

Large 30" 7-Segment LED Display

Bright red LEDs on a black background insure the digits can be seen both night and day in even the largest stadiums.

Weatherproof Construction

The welded 14-gauge 5052 aluminum case is powder coated and assembled with stainless steel hardware to withstand sever year-round outdoor weather.

Systems

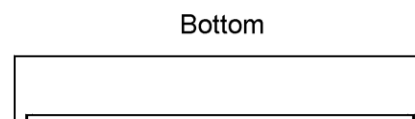
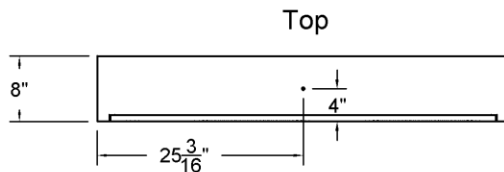
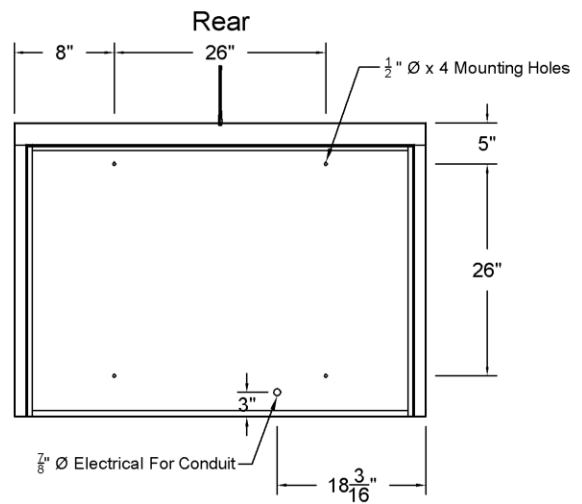
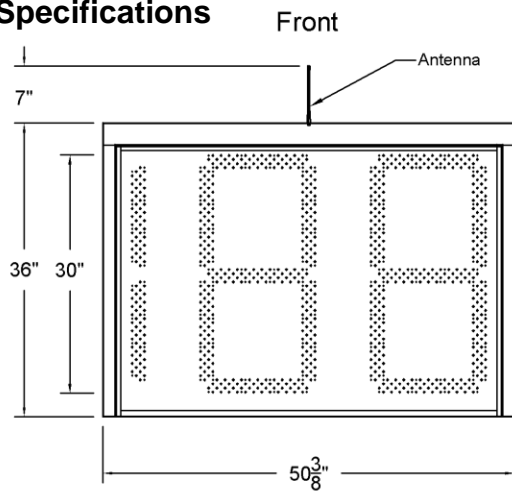
- #1205 Baseball Clock System – 120 VAC
- #1265 Baseball Clock System – Battery
- #1275 Baseball Clock System – Solar

Optional

- #1230 Mobile Stands
- #1250 Mounting Posts
- #1280 Adjacent Field Isolation



Specifications



Five Year Warranty

The Clock System warranty applies to purchaser and any subsequent owner. Grimm Scientific Industries, Inc. (warrantor) warrants this product to be free from defects in material and workmanship under normal use for five years from the date the product is shipped. The warrantor may opt to replace the product, rather than repair it. This warranty does not cover damage resulting from accidents, improper use, or maintenance of this product, and in no case shall warrantor's liability exceed the original purchase price paid for the product. This warranty is expressly in lieu of all other express warranties.

Net Weight Each Clock	40 Pounds
System Shipping Weight	87 Pounds
Grounded Electrical Supply	115 Volts, 60 Watts
7 Segment Red LED Digits	30 Inches High
Clock Color	Black
Battery Option Run Time	12 Hours
Shot Clock Horn Option	102 Decibels
Adjacent Field Option	4 Fields

Contact Us:

Grimm Scientific Industries, Inc
 P.O. Box 2143
 Marietta, OH 45750

Phone...800-223-5395
 Fax.....740-374-5745
 E-mail...joe@grimmscientific.com

